

Domopac Compact



The solution for poor domestic water pressure

- Non-corrosive holding tank (WRAS approved material)
- Pre-fitted WRAS approved fill valve
- Integral overflow weir
- Minimal installation required
- Adjustable digital display flow controller
- Dry run protection with auto restart (time delay)

The 125ltr Domopac Compact has been specifically designed for smaller properties with low water pressure and flow and where space is at a premium i.e. apartments, cottages, townhouses. Fitting into the space of a standard kitchen unit, the Domopac Compact is a similar size to a washing machine so can be hidden away behind a cupboard door. The electronic controller automatically starts and stops the pump when a drop in pressure is sensed (i.e. a tap is opened and closed).

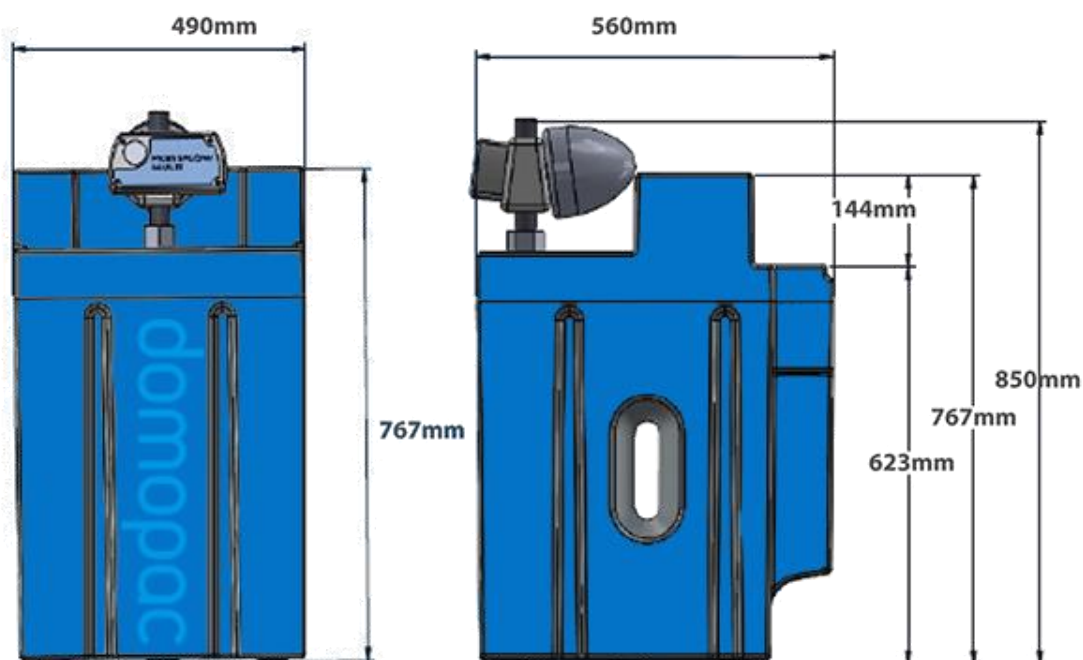
Domopac Compact

Options

Model
125ltr Compact Fixed Speed
125ltr Compact Variable Speed

System connections

Connection	Size
Inlet	½" BSP
Outlet	1" BSP
Overflow	1 ½"
Drain Off	1" BSP



125ltr Compact

	Fixed speed option	Variable speed option
Power supply	240 volt, 50Hz	240 volt, 50Hz
Controller	Presflo 1.5 supplied with 2ltr pressure vessel	Steadypres M/T 07 supplied with 2ltr pressure vessel
Current Input	3.4 amp	3 amp
Mains Power Cable	2 mtr x 1mm ² 3 core fitted with 5 amp fuse main plug	2 mtr x 1mm ² 3 core fitted with 5 amp fuse main plug
Tank Weight Empty	27 kg	33 kg
Tank Weight Full	1ltr = 1 kg plus weight of empty tank	1ltr = 1 kg plus weight of empty tank
Access Cover Ø	190mm	168mm

Pump option	Power		Q I/min	0	10	20	30	40	50	60	70	80
	kW	HP										
Fixed speed	0.55	0.75	H Metres	42	40	38	34	30	24	18	11.5	5
Variable speed	0.55	0.75	H Metres	48	46	44.5	42.8	40.5	37.5	33.5	29	23