

Domopac Rectangular 300ltr & 500ltr



The solution for poor domestic and light commercial water pressure

- Non-corrosive holding tank (WRAS approved material)
- Pre-fitted WRAS approved fill valve
- Minimal installation required
- Adjustable digital display flow controller
- Dry run protection with auto restart (time delay)

The Domopac Rectangular 300ltr & 500ltr are designed for domestic and light commercial use where there is low mains water pressure and where pressure fluctuates. They are electronically controlled through a flow switch unit which starts and stops the pump automatically when a tap is opened and closed. The Domopac Rectangular 300ltr & 500ltr are designed for areas where the floor space is not restricted but where height restrictions are an issue.

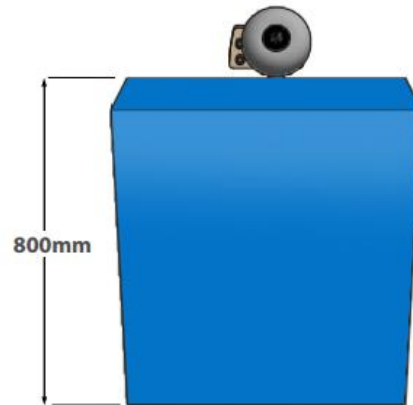
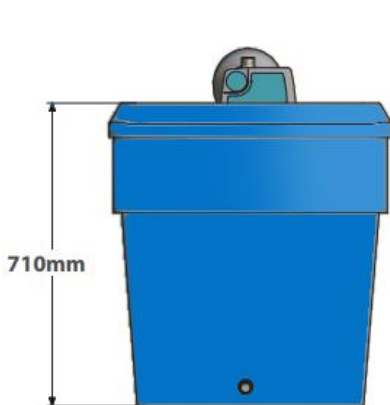
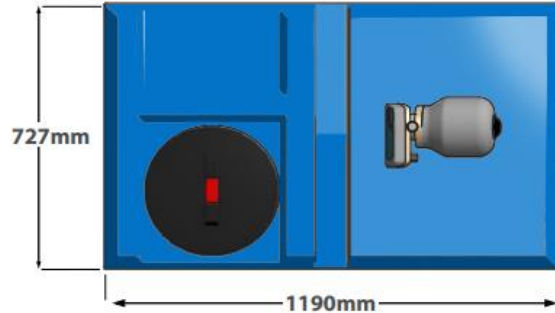
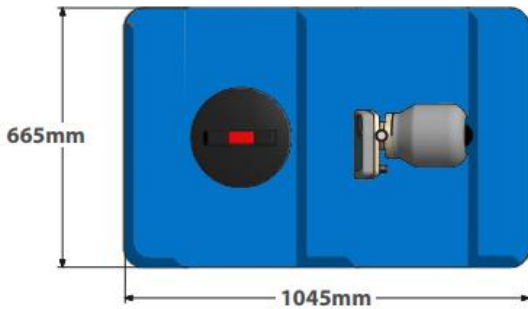
Domopac Rectangular 300ltr & 500ltr

Options

Model
300ltr Rectangular Fixed Speed
300ltr Rectangular Variable Speed
500ltr Rectangular Fixed Speed
500ltr Rectangular Variable Speed

System connections

Connection	Size
Inlet	½" BSP
Outlet	1" BSP
Overflow	1" BSP
Drain Off	1" BSP



300ltr Rectangular

500ltr Rectangular

	Fixed speed option	Variable speed option
Power supply	240 volt, 50Hz	240 volt, 50Hz
Controller	Presflo Multi with integral 3 litre pressure vessel	Steadypres M/T 07 supplied with 8ltr pressure vessel
Current Input	3.4 amp	4 amp
Mains Power Cable	2 mtr x 1mm ² 3 core fitted with 5 amp fuse main plug	2 mtr x 1mm ² 3 core fitted with 5 amp fuse main plug
Tank Weight Empty	300ltr = 34kg 500ltr = 39kg	300ltr = 40kg 500ltr = 45kg
Tank Weight Full	1ltr = 1 kg plus weight of empty tank	1ltr = 1 kg plus weight of empty tank
Access Cover Ø	285mm	285mm

Pump option	Power		Q l/min	0	10	20	30	40	50	60	70	80
	kW	HP										
Fixed speed	0.55	0.75	H Metres	42	40	38	34	30	24	18	11.5	5
Variable speed	0.75	1	H Metres	63	61	59	57	54	50	45	39	31