

Domopac Skinny



The solution for poor domestic water pressure

- 57 litre and 100 litre polyethylene tank made with WRAS approved material
- Class AB air-gap
- Pre-fitted with WRAS approved fill valve
- Screened Overflow

The Domopac Skinny has been designed to fit in small spaces like airing cupboards or utility rooms where the footprint of the tank is crucial and only narrow spaces are available. With 57L and 100L tank options, these are suited to smaller properties like 2 bedroom townhouses or flats and apartments. The Domopac range of house booster units are designed as a 'plug and play' style answer to boosting your water pressure and flow, giving you back your shower. The electronic controller automatically starts and stops the pump when a drop in pressure is sensed (i.e. a tap is opened and closed).

Domopac Skinny

System connections

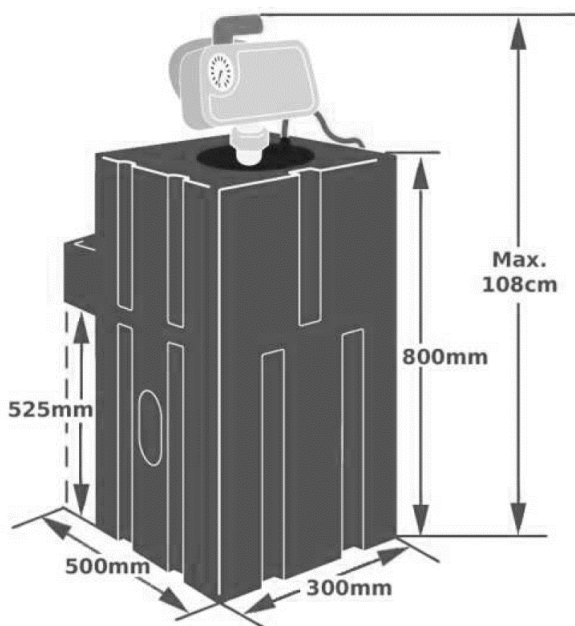
Connection	Size
Mains incoming water supply	3/4" BSPM
Overflow	40mm Wastepipe
Outlet connection	1" BSPM
Drain connection	1" BSPF

Technical details

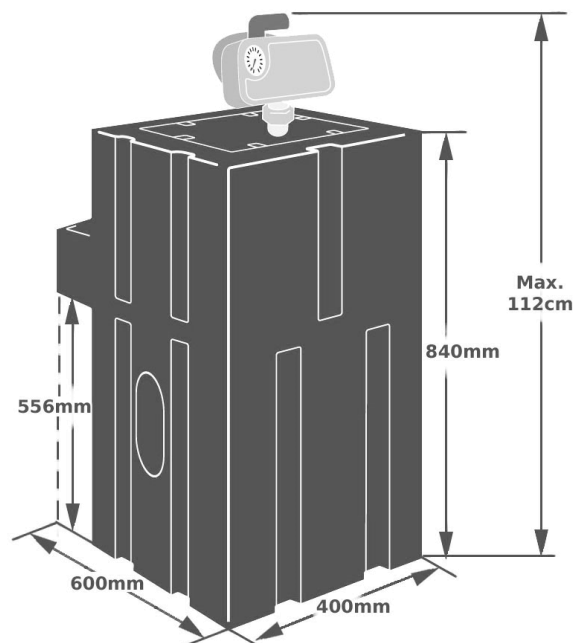
	Fixed speed option	Variable speed option
Power supply	230-1-50	230-1-50
Pump	NKm 2/1	NK 2/2
Controller	Presflo 1.5 Bar cut in (optional 2 litre pressure vessel)	Steadypress MT07 with 8 litre pressure vessel
Motor size	0.45kW	0.55kW
Input current	4.5 A	3.4 A
Mains power cable	57L = 2m x 1.0mm ² 3 core fitted with 5A fused mains plug 100L = 5m x 1.5mm ² 3 core fitted with 5A fused mains plug	57L = 2m x 1.0mm ² 3 core fitted with 5A fused mains plug 100L = 5m x 1.5mm ² 3 core fitted with 5A fused mains plug
dB rating	<60dB	<60dB

Flow	0 l/min	10 l/min	20 l/min	30 l/min	40 l/min	50 l/min	60 l/min	70 l/min	80 l/min
Fixed Speed Pressure	3.6 bar	3.5 bar	3.3 bar	3.1 bar	2.85 bar	2.6 bar	2.3 bar	1.9 bar	1.5 bar
Variable Speed Pressure	4.8 bar	4.6 bar	4.4 bar	4.15 bar	3.9 bar	3.5 bar	3.0 bar	2.5 bar	1.9 bar

Dimensions



Domopac Skinny 57L



Domopac Skinny 100L

Domopac Skinny

Performance curves

